



**FEATURES**

- Designed for long haul Gigabit Ethernet 100/1000 Base-T, full duplex applications
- Supports 4 pairs of category 5 UTP cable
- Recognized By UL 60950-1
- Cable interface for isolation and low common mode emissions
- Meets all IEEE 802.3 and ANSI X3.236 standards including 350uH OCL with 8mA bias



**ELECTRICAL SPECIFICATIONS @25°C-Operating temperature 0°C TO 70°C**

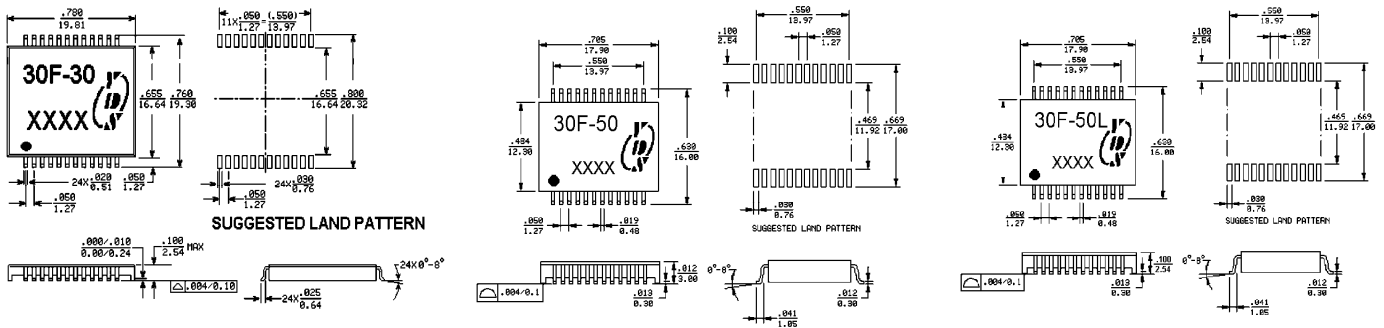
Part Number	Insertion Loss (dB max)	Return Loss (dB min @100 Ω)						Differential to Common Mode (dB min)			Cross talk (dB min)			Hipot (V <sub>rms</sub> min)
		1-100 MHz	1-30 MHz	40 MHz	50 MHz	60-80 MHz	100 MHz	30 MHz	60 MHz	100 MHz	30 MHz	60 MHz	100 MHz	
30F-30	-1.0	-18	-14.4	-13.1	-12	-10	-43	-37	-33	-45	-40	-35	1500	
30F-50	-1.0	-18	-14.4	-13.1	-12	-10	-43	-37	-33	-45	-40	-35	1500	
30F-50L	-1.0	-18	-14.4	-13.1	-12	-10	-43	-37	-33	-45	-40	-35	1500	
30F-5012B	-1.2	-16	-14	-13.5	-13	-12	-40	-30	-25	-45	-45	-35	1500	
30F-51	-1.0	-18	-14.4	-13.1	-12	-10	-43	-37	-33	-45	-40	-35	1500	
30F-54	-1.1	-16	-14	-13.5	-13	-	-40	-30	-25	-45	-45	-35	1500	

**MARKINGS AND DIMENSION**

**30F-30**

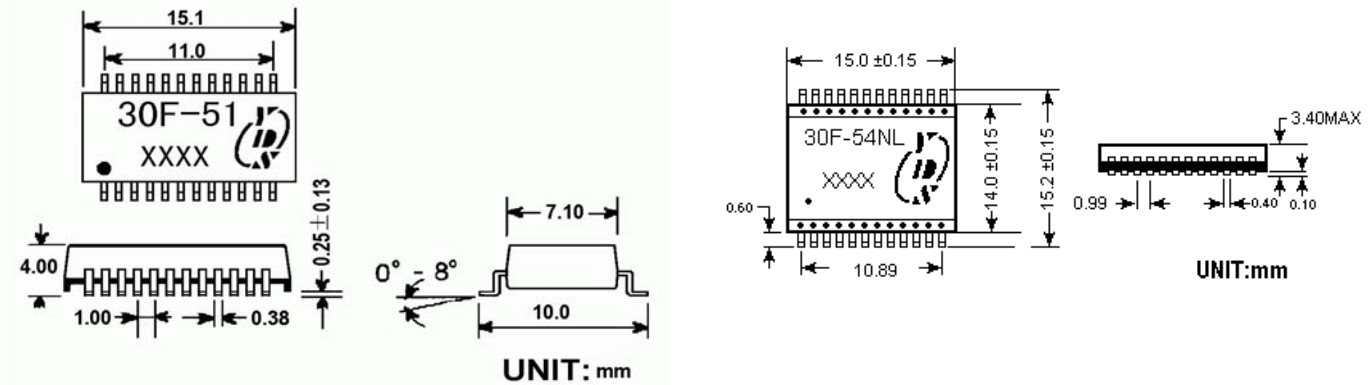
**30F-50, 30F-5012B**

**30F-50L**



**30F-51**

**30F-54**



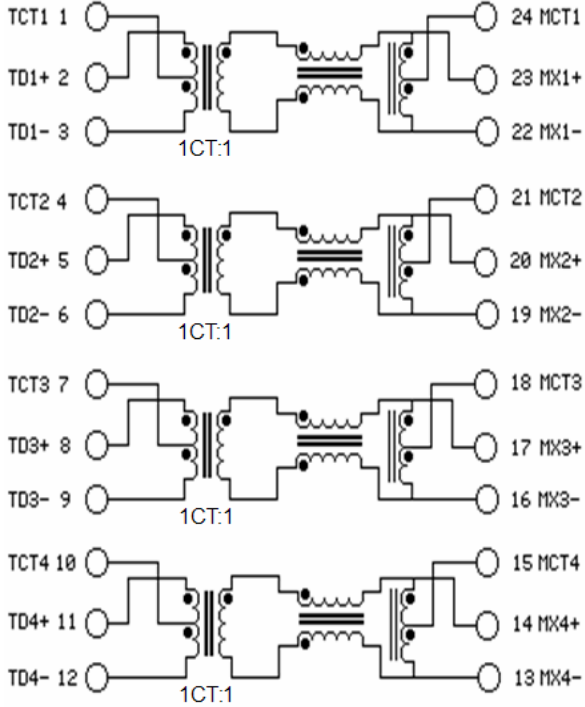
Dimensions: inches/mm

Unless otherwise specified, all tolerances are ±.010/±0.25

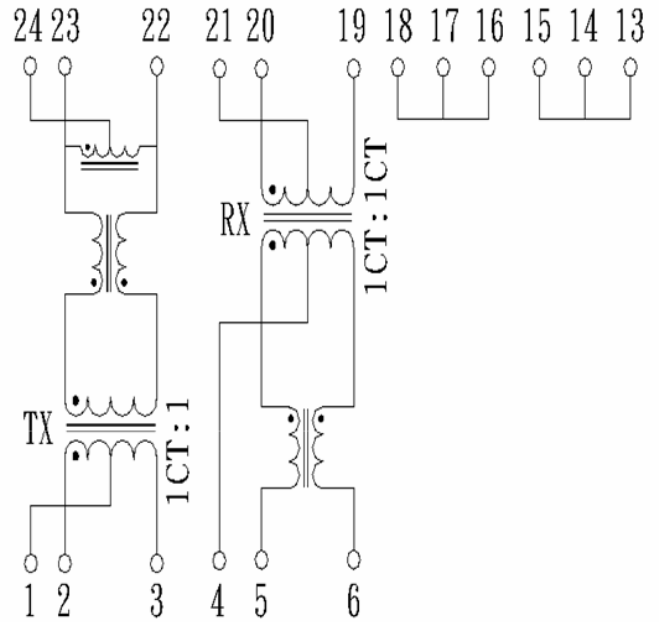


**SCHEMATIC**

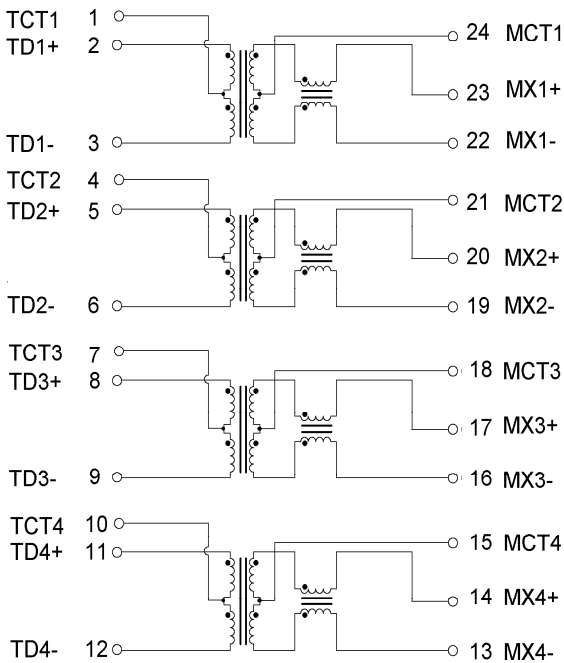
**30F-30,30F-50,30F-50L**



**30F-5012B**



**30F-51**



**30F-54**

