



### FEATURES

- Single port Tab-Down with internal magnetics for 1000 Base-T
- 350  $\mu$  H minimum OCL with 8mA bias current
- Internal magnetics options available
- Minimum 1500Vrms isolation
- Recognized by UL 60950-1



### ELECTRICAL SPECIFICATIONS @25°C -Operating temperature 0°C TO 70°C

Part Number	Turns Ratio( $\pm 5\%$ )	Insertion Loss (dB MAX)	Return Loss (dB MIN @100 $\Omega$ $\pm 15\Omega$ )				Differential to Common Mode Rejection (dB MIN)			Cross talk (dB MIN)			Hipot (V <sub>RMS</sub> )
			0.3-100MHz	1-30 MHz	40 MHz	50 MHz	60-80 MHz	30 MHz	60 MHz	100 MHz	30 MHz	60 MHz	
48F-01GYD2	1CT:1CT	-1.2	-16	-13.5	-11.5	-10	-35	-32	-30	-40	-36	-30	1500
48F-02GYD2	1CT:1CT	-1.2	-16	-13.5	-11.5	-10	-35	-32	-30	-40	-36	-30	1500
48F-03GYD2	1CT:1	-1.2	-16	-13.5	-11.5	-10	-35	-32	-30	-40	-36	-30	1500
48F-04GYD2	1CT:1CT	-1.2	-16	-13.5	-11.5	-10	-35	-32	-30	-40	-36	-30	1500
48F-01ND2	1CT:1CT	-1.2	-16	-13.5	-11.5	-10	-35	-32	-30	-40	-36	-30	1500
48F-02ND2	1CT:1CT	-1.2	-16	-13.5	-11.5	-10	-35	-32	-30	-40	-36	-30	1500
48F-03ND2	1CT:1	-1.2	-16	-13.5	-11.5	-10	-35	-32	-30	-40	-36	-30	1500
48F-04ND2	1CT:1CT	-1.2	-16	-13.5	-11.5	-10	-35	-32	-30	-40	-36	-30	1500

### Part Number:

48F - 01 GYD NW 2 NL  
 A B C D E F

- A: Series
- B: Schematics
- C: Led
- D: Mechanical
- E: Gold Plating: 1=3u", 2=6u", 3=15u", 4=30u", 5=50u"
- F: RoHS Version

### Mechanicals

#### Housing Material:

MATERIAL: NYLON GF (Fr50) UL94V-0  
 STANDARD COLOR: BLACK

#### Insert Material:

MATERIAL: Phos-Bronze C5210 EH--0.35mm Thickness

Insert -PBT GF UL94V-0

1. PLATING(1) NICKEL
2. PLATING(2) 100%Sn
3. PLATING(3) GOLD (3u" ~ 50u" )

#### Plate Material:

PBT GF UL 94V-0

#### Contact pin Material:

MATERIAL: Phos-Bronze C5191--0.35mm Thickness

1. PLATING(1) NICKEL
2. PLATING(2) 100%Sn

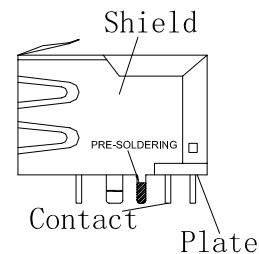
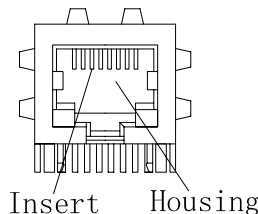
#### Shielding Material:

BRASS C2680 PLATING NICKEL

Operating Life: 750 Cycles MIN.

#### Environmental

1. Storage Temp: -40°C TO +85°C.
2. Operating Temp: 0°C TO +70°C.
3. MATES WITH MODULAR PLUG CONFORMING TO FCC PART 68, SUBPART F.



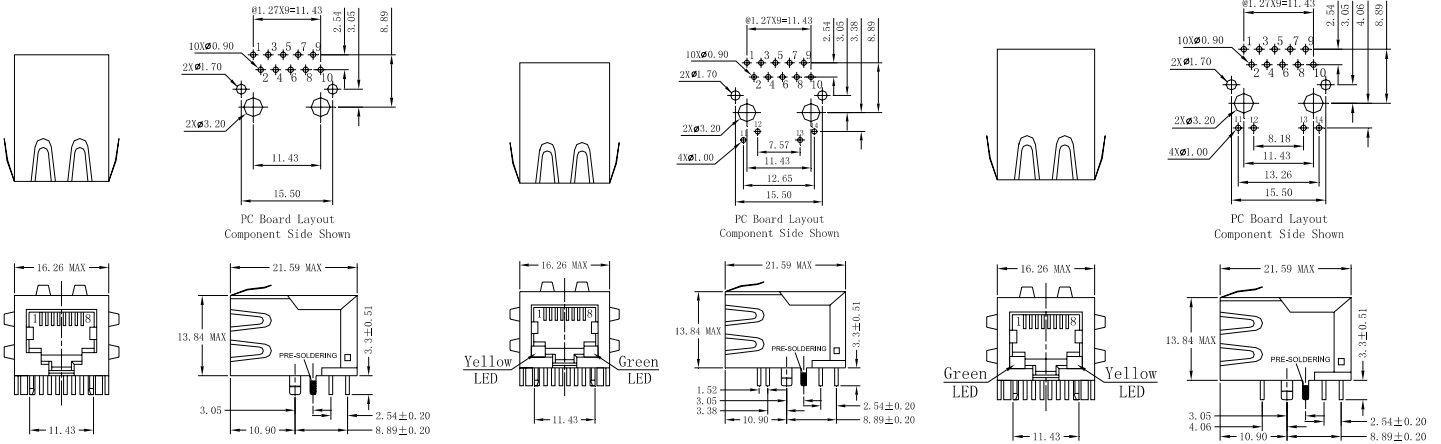


**MARKINGS AND DIMENSION**

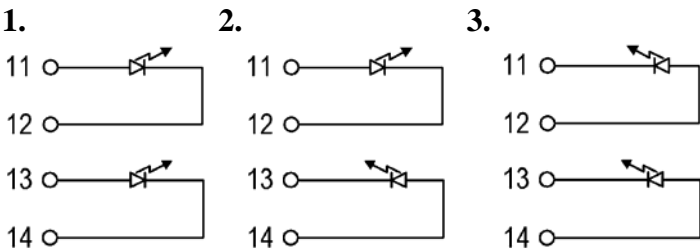
**NO LED JACK**

**LED-S JACK**

**LED-P JACK**



Unit: mm Unless otherwise specified, all tolerances are  $\pm 0.25$



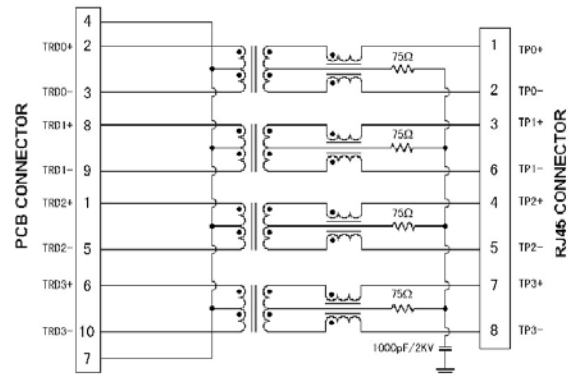
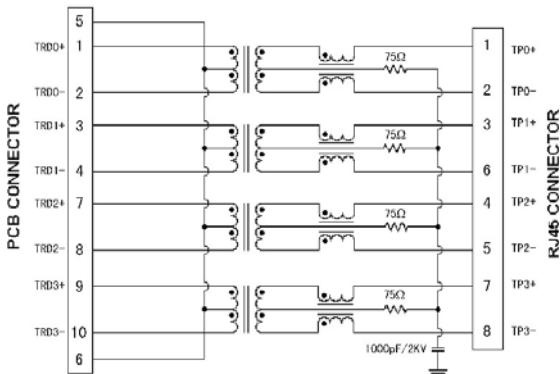
Standard LED	Wavelength	Forward* V(MAX)	(TYP)
Yellow	585 nm	2.5 V	2.1 V
Green	565 nm	2.5 V	2.2 V

\* With a forward current of 20 mA

**SCHEMATICS**

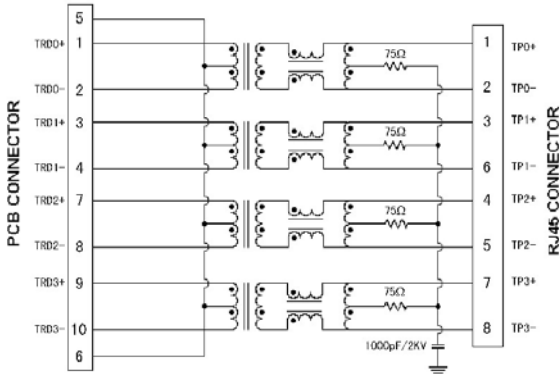
01

02

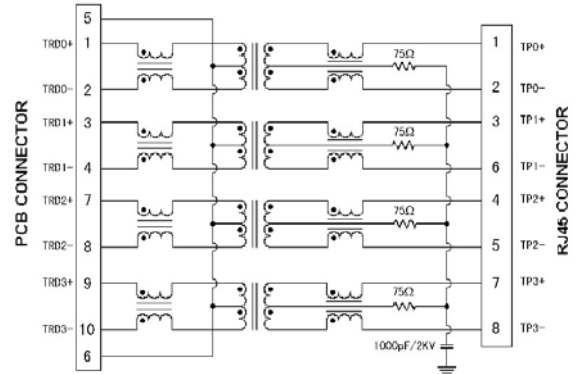




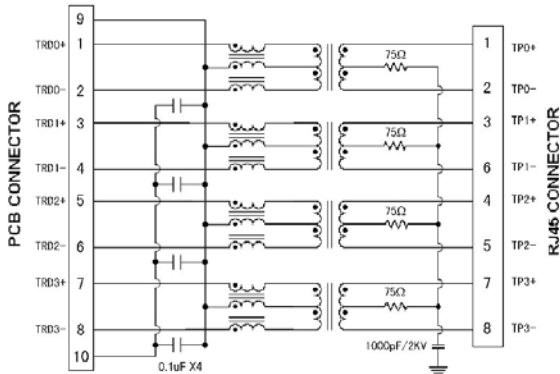
03



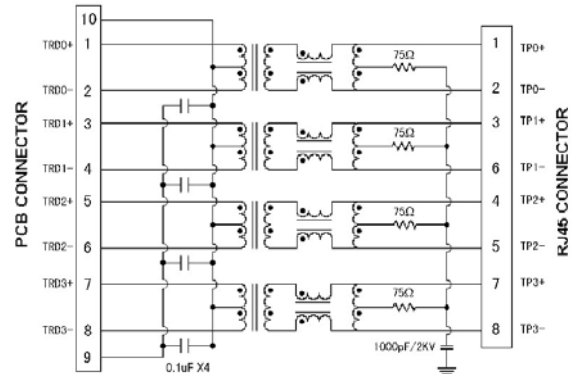
04



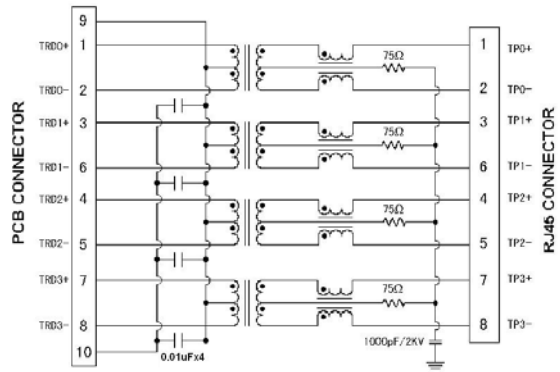
07



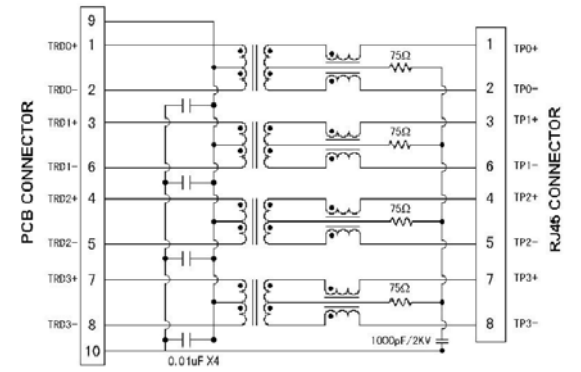
08



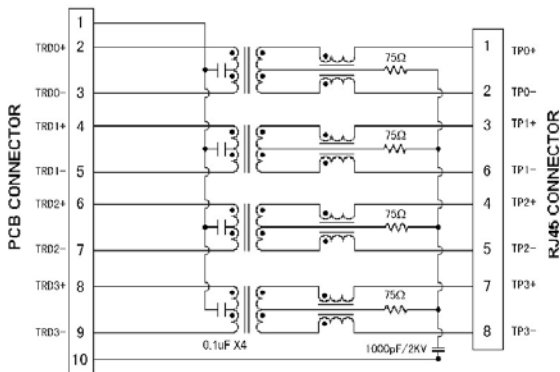
09



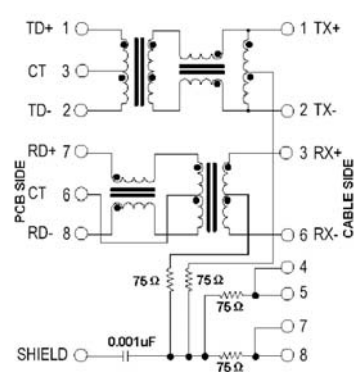
09A



10

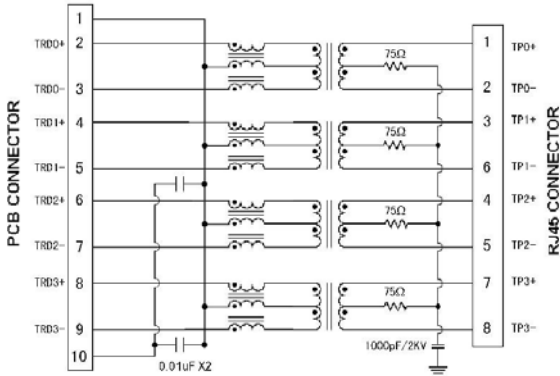


11

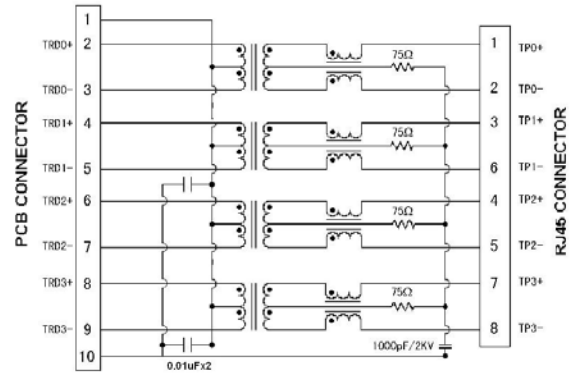




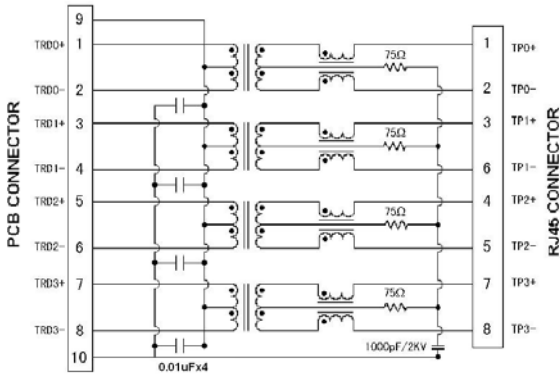
12



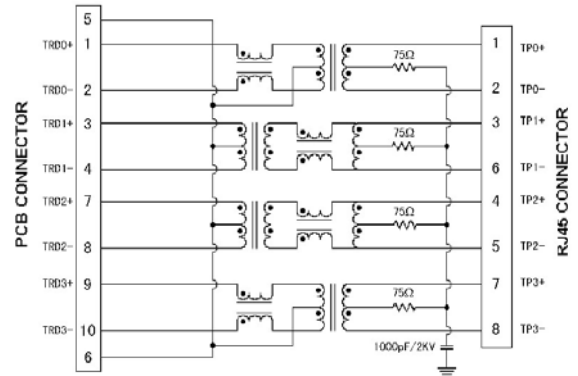
13



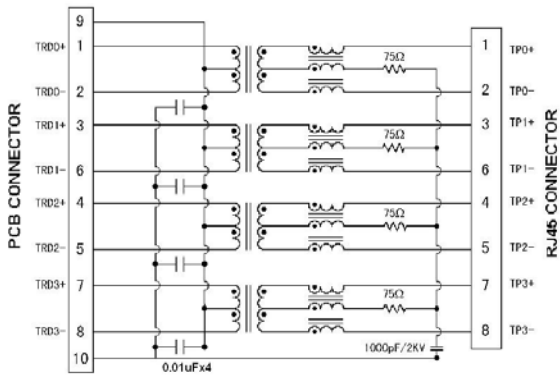
14



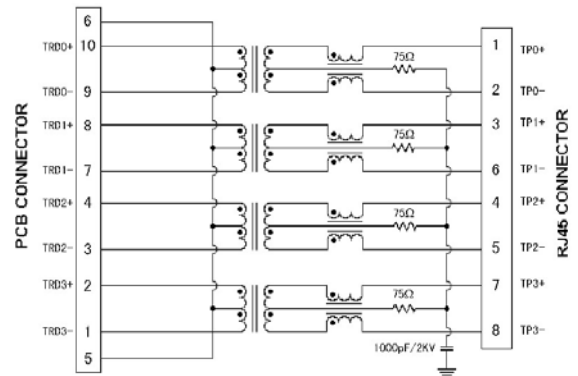
15



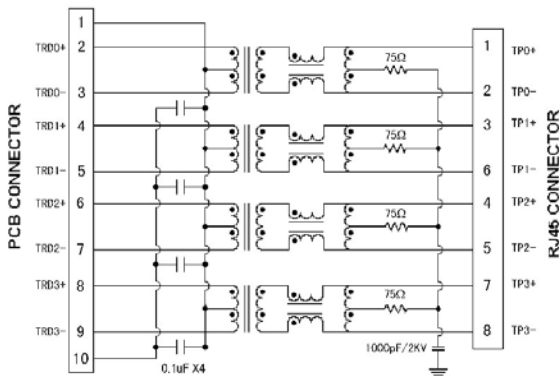
16



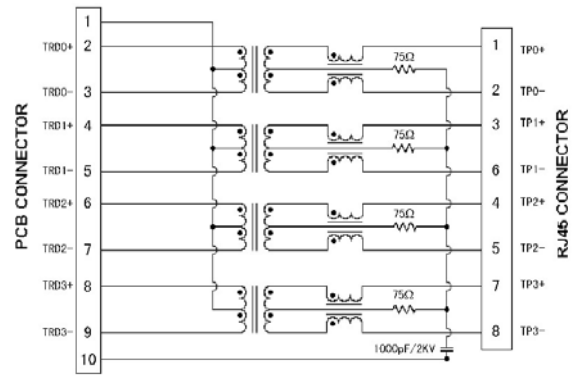
17



18

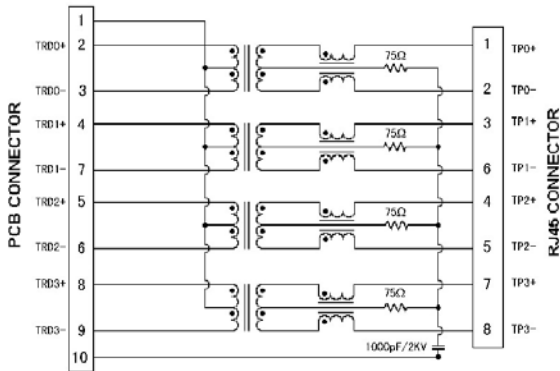


19

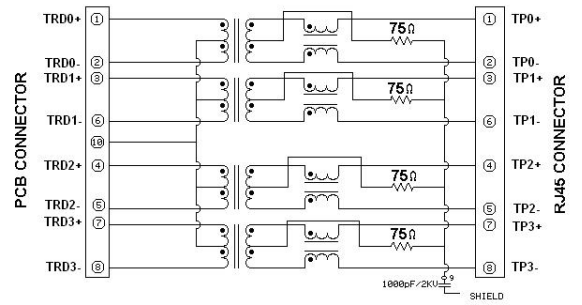




**20**



**21**



**22**

