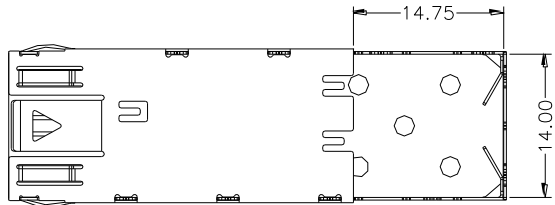
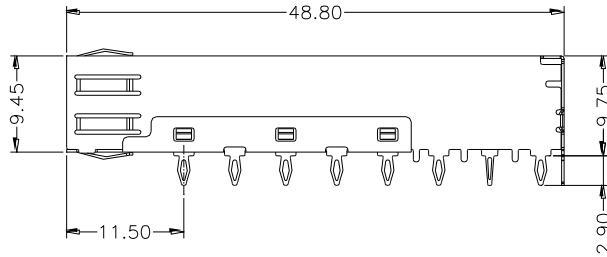
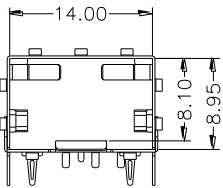
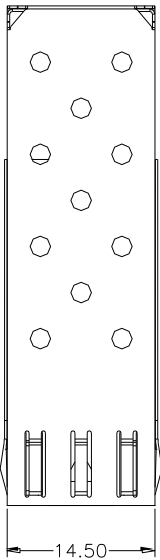
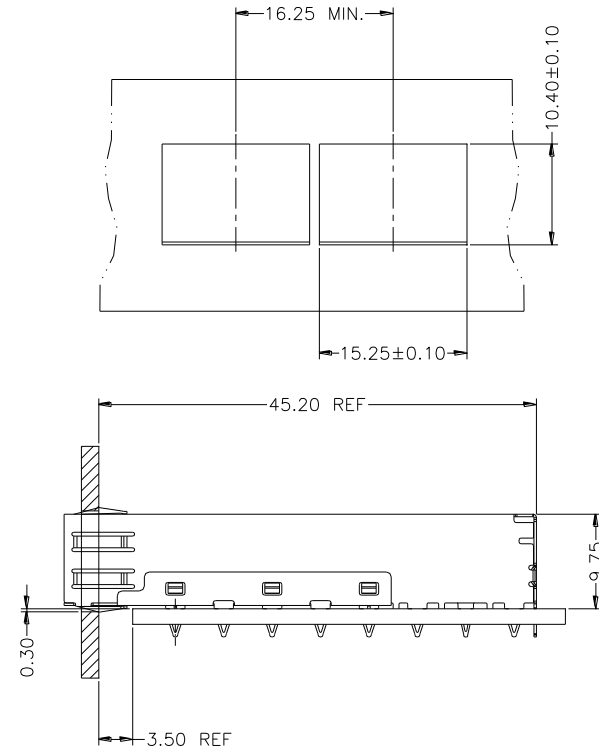
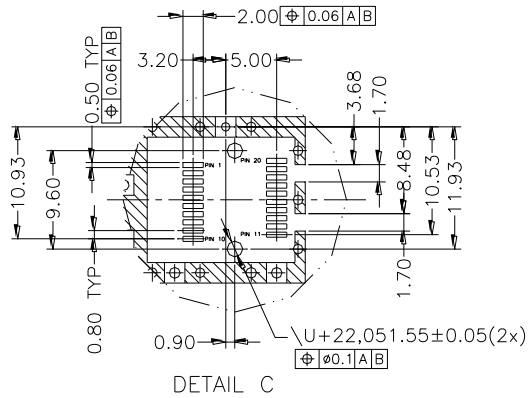


Mechanical Dimensions



BOTTOM VIEW



RECOMMENDED BEZEL CUT-OUT CENTER DETAIL
BEZEL THICKNESS 0.8~2.6MM

MILLIMETRE

- X.XXX ±0.10
- X.XX ±0.20
- X.X ±0.30
- X



REV.	DESCRIPTION	DATE	DWN	AP'PD



元册科技股份有限公司

YUAN DEAN SCIENTIFIC CO., LTD.

TITLE

SFP CAGE 1X1 PRESS-FIT TYPE

P/N

YDS-ZWSFP0PANG

REV.

1.0

PAGE NO

1-2

DATE

2015-3-31

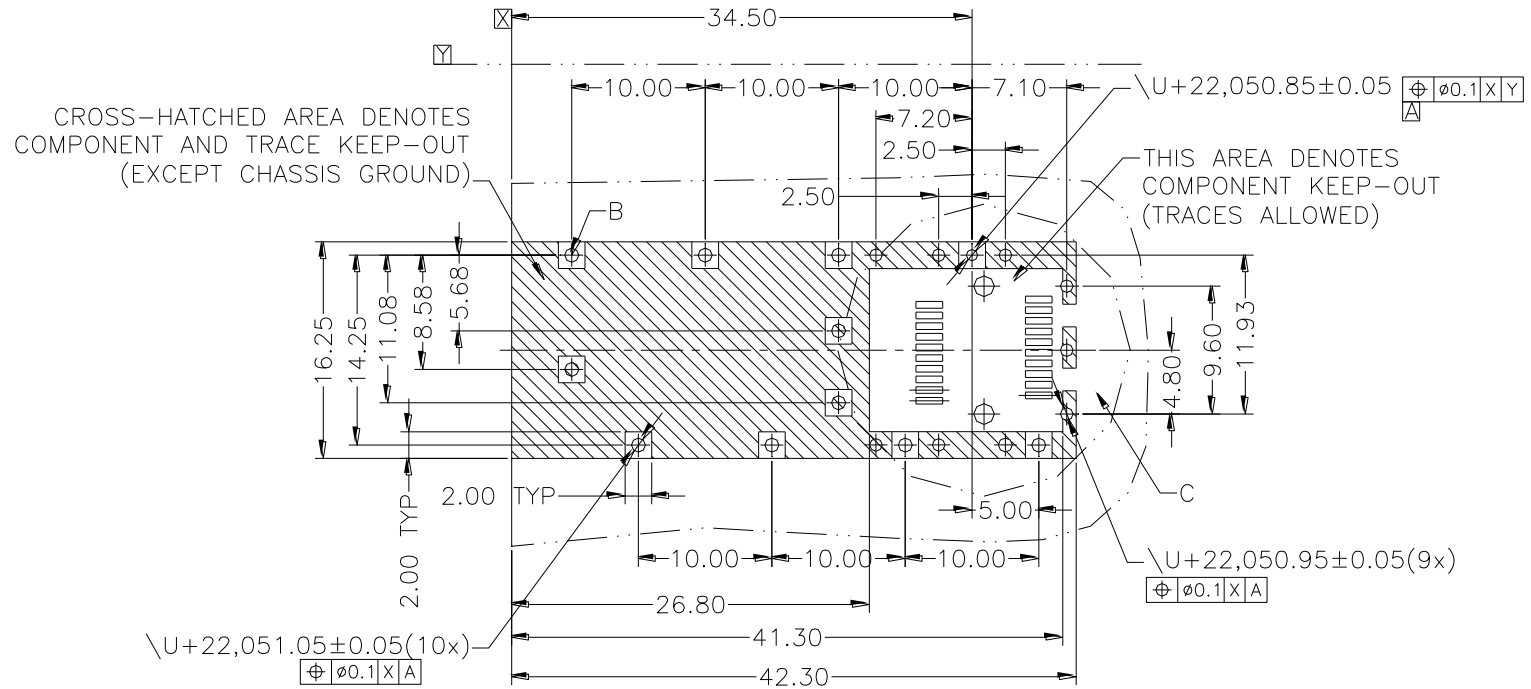
AP'PD

Hsu

DWN

Chen Chuan Yu

REV.	DESCRIPTION	DATE	DWN	AP'PD



NOTES:

MECHANICAL:

CAGES: METAL ALLOY, THICKNESS 0.25MM.

PLATING: PRE-PLATED WITH NICKEL.

THIS CAGE IS FOR SINGLE SIDE USE ONLY.

TEMPERATURE:

OPERATION: -40°C~+85°C

STORAGE: -40°C~+85°C

RoHS COMPLIANCE.

	元册科技股份有限公司 YUAN DEAN SCIENTIFIC CO., LTD.			
	TITLE		SFP CAGE 1X1 PRESS-FIT TYPE	
	P/N	YDS-ZWSFP0PANG	REV.	1.0
	PAGE NO	2-2	DATE	2015-3-31
	AP'PD	Hsu	DWN	Chen Chuan Yu