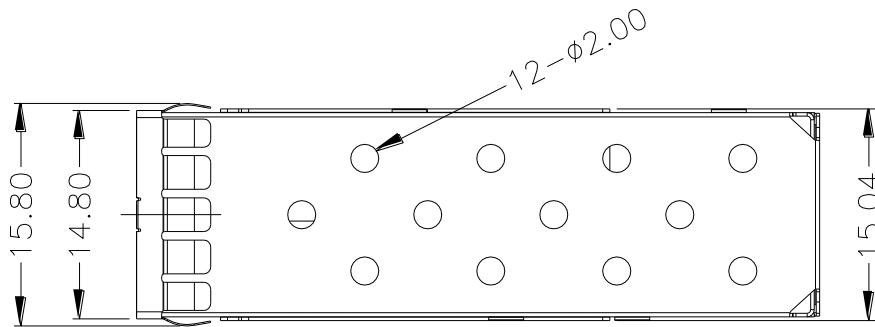
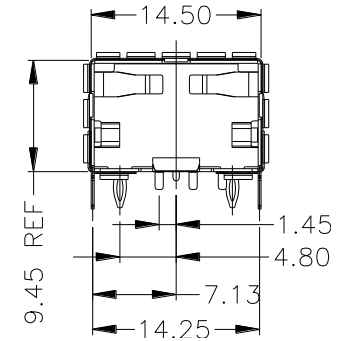
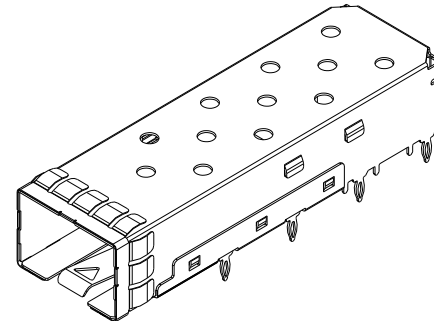
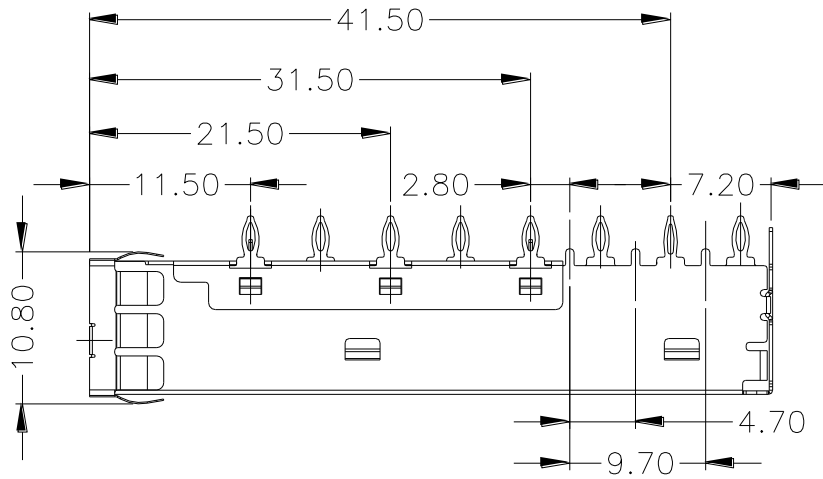


Mechanical Dimensions

REV.	DESCRIPTION	DATE	DWN	AP'PD

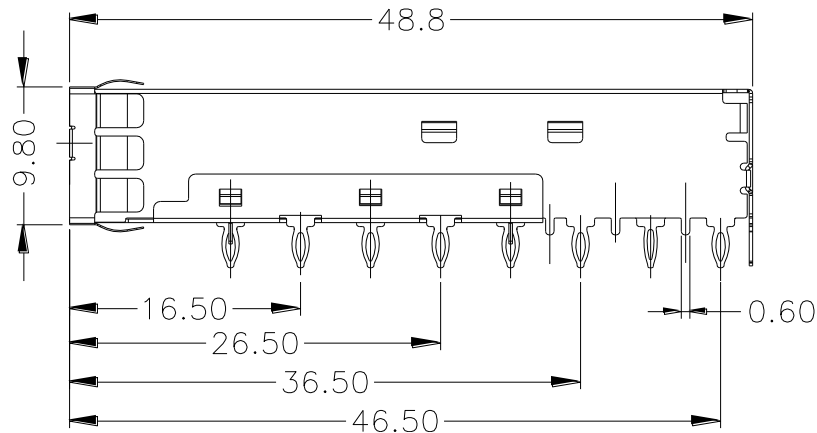


MILLIMETRE

- X.XXX ±0.10
- X.XX ±0.15
- X.X ±0.20
- X

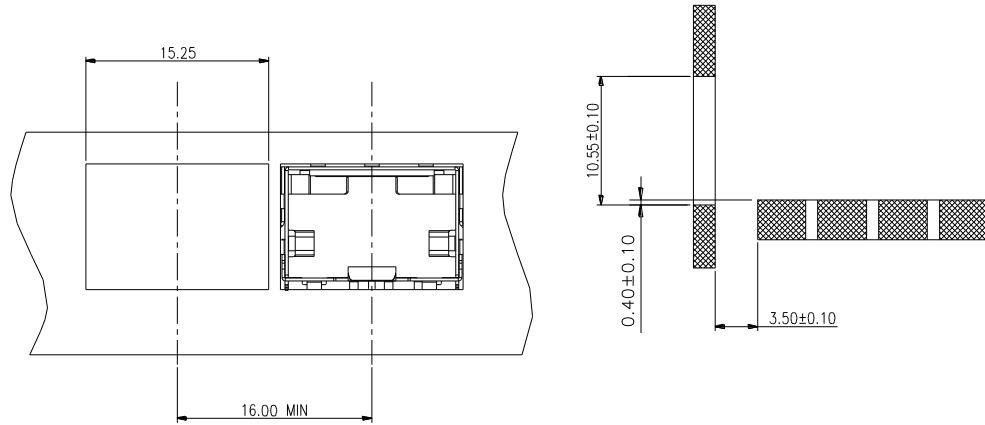
MATERIALS

SHELL: COPPER ALLOY, NICKEL PLATING
 SPRING: COPPER ALLOY, NICKEL PLATING

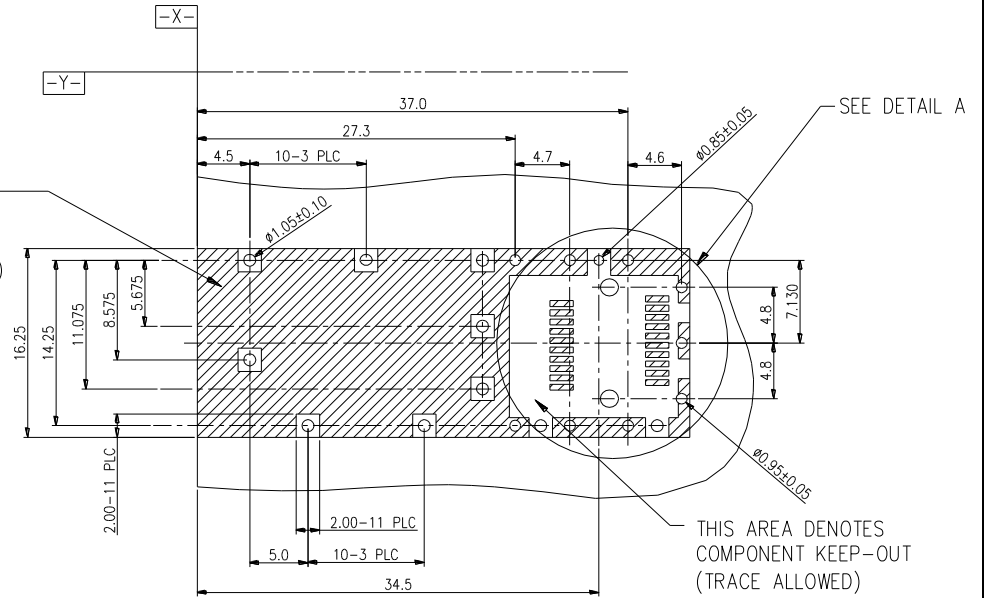
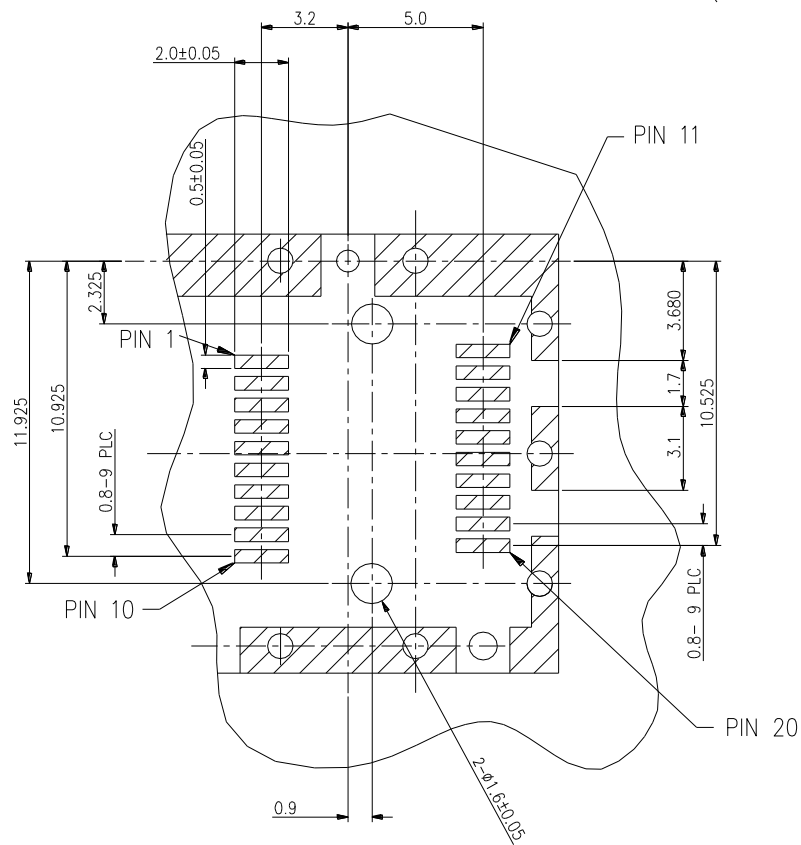


	元册科技股份有限公司 YUAN DEAN SCIENTIFIC CO., LTD.			
	TITLE		SFP+ CAGE 1 PORT PRESSFIT TYPE	
	P/N	YDS-SCP031PFG	REV.	1.0
	PAGE NO	1-2	DATE	2015/4/7
	AP'PD	Hsu	DWN	Chen Chuan Yu

REV.	DESCRIPTION	DATE	DWN	AP'PD



CROSS-HATCHED AREA DENOTES COMPONENT AND TRACE KEEP-OUT (EXCEPT CHASSIS GROUND)



PCB LAYOUT THICKNESS=3.0mm (TOP VIEW)

	元册科技股份有限公司 YUAN DEAN SCIENTIFIC CO., LTD.			
	TITLE		SFP+ CAGE 1 PORT PRESSFIT TYPE	
	P/N	YDS-SCP031PFG	REV.	1.0
	PAGE NO	2-2	DATE	2015/4/7
	AP'PD	Hsu	DWN	Chen Chuan Yu